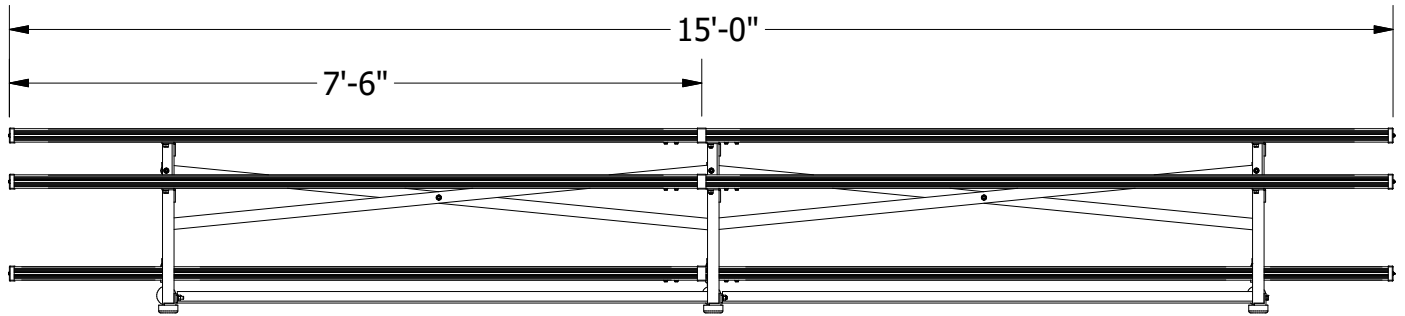
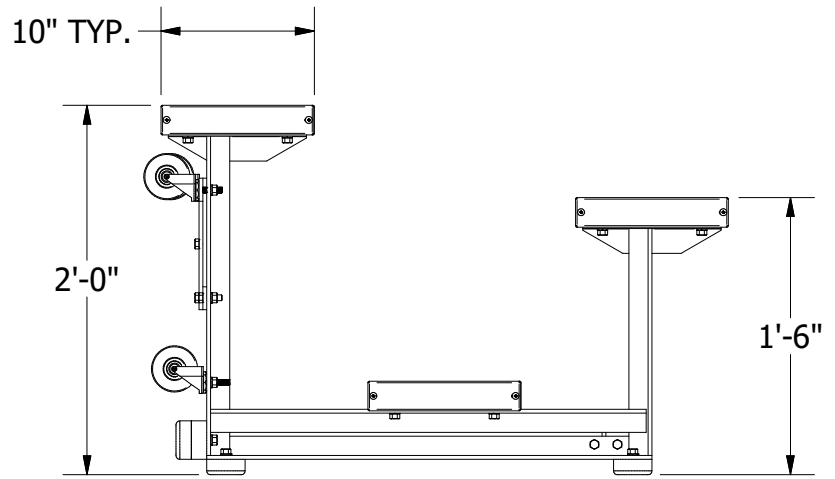


STORAGE POSITION



Bleacher framework shall be constructed of welded aluminum angles and bolt-on horizontal support members. Seat plank and foot plank assemblies shall be 10" wide x 1 3/4" thick, clear anodized (seat only) aluminum extrusions with molded end caps and be mounted on three aluminum support frames. Seat and foot planks in excess of 7 1/2 shall be shipped in 2 or 3 piece sections. Each section shall be connected to the adjoining section at assembly by means of two aluminum extrusion connector tubes, and 8 self drilling, self-threading hex screws. For Powder Coated Aluminum Seat Planks order optional BL15SEAT1-XX for each plank. Choose any combination of colors: Royal, Scarlet, Navy, Forest Green, Black and White. When in use, bleachers shall sit on six non-marking rubber feet. When tipped up to transport and store, bleachers shall rest on six non-marking 3" diameter swivel casters. Bleachers shall provide two rows of 15' seating with a total approximate capacity of 20 persons. Bleacher structure shall have a 5-year limited warranty and seat and foot planks shall have a 2-year limited warranty. Installation to be completed in accordance to manufacturer's instructions. Meets ICC300-2023 specifications if correctly installed and maintained. Do not scale drawings. Approximate weight shall be 195# each.



PRODUCT SPECIFICATION

BLI1502 EASY STORE™ 15' 2-TIER INDOOR ALL ALUMINUM PORTABLE BLEACHERS

REVISED 11/06/24 L.M.